

# Temposonics®

Magnetostrictive Linear Position Sensors

## MH-Series Flexible MH Data Sheet

- Linear, absolute measurement
- Easy in-field installation and replacement
- Stroke lengths from 500...5000 mm
- Resolution:  $\pm 0.2$  mm
- Analog and CANbus output options



## MEASURING TECHNOLOGY

The absolute, linear position sensors provided by MTS Sensors rely on the company's proprietary Tempsonics® magnetostrictive technology, which can determine position with a high level of precision and robustness. Each Tempsonics® position sensor consists of a ferromagnetic waveguide, a position magnet, a strain pulse converter and supporting electronics. The magnet, connected to the object in motion in the application, generates a magnetic field at its location on the waveguide.

A short current pulse is applied to the waveguide. This creates a momentary radial magnetic field and torsional strain on the waveguide. The momentary interaction of the magnetic fields releases a torsional strain pulse that propagates the length of the waveguide. When the ultrasonic wave reaches the end of the waveguide it is converted into an electrical signal. Since the speed of the ultrasonic wave in the waveguide is precisely known, the time required to receive the return signal can be converted into a linear position measurement with both high accuracy and repeatability.

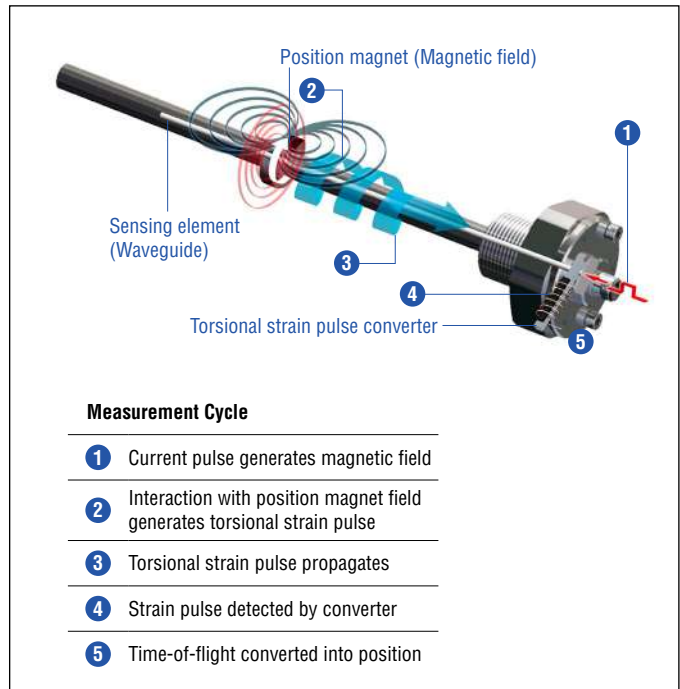


Fig. 1: Time-of-flight based magnetostrictive position sensing principle

## FLEXIBLE MH SENSOR

Designed for use with hydraulic cylinders in mobile applications, the externally threaded Flexible MH sensor features an innovative two-part design. This design allows users to separate the flexible sensing element and electronics from the housing without opening the hydraulic system.

While it is manageable to install and remove hydraulic cylinder sensors at a manufacturing facility, it can be extremely challenging in the field. Trained service technicians can remove and replace the internal components with just 200 mm of clearance regardless of stroke length and without breaking the hydraulic seal. This serviceability means decreased downtime and disruption, providing increased productivity. Replacement units ship as coiled rings to ease handling and reduce shipping costs.

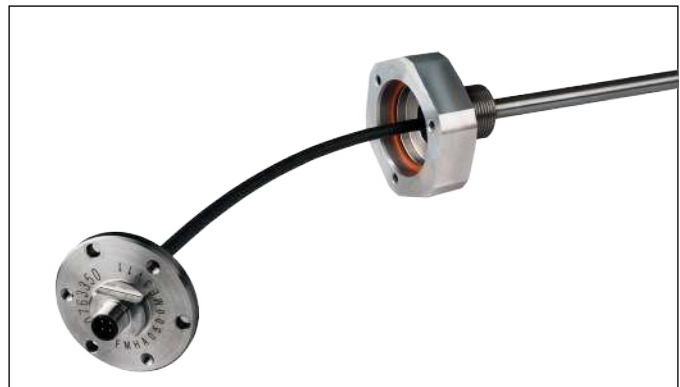


Fig. 2: Two-part housing design

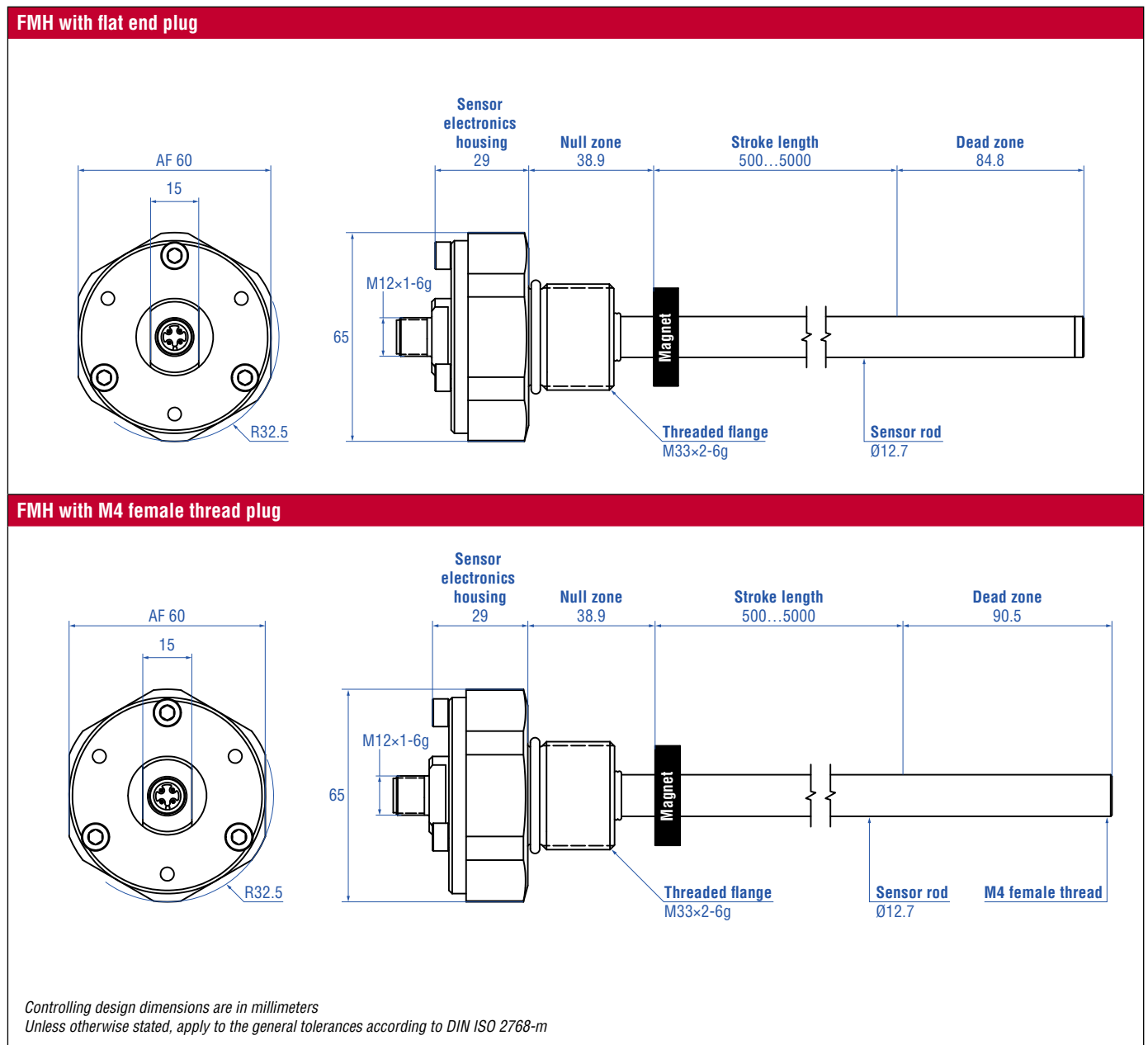
## TECHNICAL DATA ANALOG

Input		
Measured value	Position	
Stroke range	500...5000 mm (in 20 mm steps)	
Output		
Signal characteristic	Analog output restricted by noise or A/D converter of control unit	
Voltage	0.25...4.75 VDC / 0.5...4.5 VDC	
Current	4...20 mA	
Resolution	±0.2 mm	
Sample rate	2 ms	
Accuracy		
Linearity	±0.04 % (F.S.)	
Repeatability	±0.005 % (F.S.)	
Hysteresis	±0.2 mm	
Operating conditions		
Mounting position	Any	
Operating temperature	-40...+105 °C	
Humidity	90 % rel. humidity, no condensation	
Ingress protection	IP67 / IP69K with appropriate mating connection	
Pressure		
Nominal operating pressure (P <sub>N</sub> )	350 bar	
Max. overload pressure in cylinder (P <sub>MAX</sub> )	450 bar	
Max. static proof pressure in cylinder (P <sub>PROOF</sub> )	625 bar	
Environmental testing		
Shock test	IEC 60068-2-27, 100 g (6 ms) single shock, 50 g (11 ms) at 1000 shocks per axis	
Vibration test	IEC 60068-2-64, 2 g (5...2000 Hz)	
EMC test & evaluation	ISO16750-2:2010 ISO 14982:2009 - Agricultural and forestry machinery ISO 13766:2006 - Earth-moving machinery EN 13309:2010 - Construction machinery RF immunity to 200 V/m per ISO 11452-2/-4	
Materials and dimensions		
Sensor rod with flange	Stainless steel 1.4306 (AISI 304L)	
Sensor electronics housing	Stainless steel 1.4305 (AISI 303)	
Electrical installation		
Connector	M12 male plug	
Supply voltage	<b>12 VDC (tolerance range 8...32 VDC)</b>	<b>24 VDC (tolerance range 8...32 VDC)</b>
Current consumption	Typ. ≤ 100 mA	Typ. ≤ 50 mA
Load (output VDC)	R <sub>L</sub> ≥ 10 kΩ	R <sub>L</sub> ≥ 10 kΩ
Load current (output VDC)	Typ. 1 mA	Typ. 1 mA
Load (output mA)	R <sub>L</sub> ≤ 250 Ω	R <sub>L</sub> ≤ 500 Ω
Inrush current	Max. 2.5 A/2 ms	Max. 4.5 A/2 ms
Supply voltage ripple	< 1 % <sub>pp</sub>	
Power drain	< 1 W	
Over voltage protection (GND-VDC)	Up to +36 VDC	
Polarity protection (GND-VDC)	Up to -36 VDC	
Insulation Resistance	R ≥ 10 MΩ @ 60 sec	
Electric strength	500 VDC (DC GND to chassis GND)	

## TECHNICAL DATA DIGITAL

Input		
Measured value	Position	
Stroke range	500...5000 mm (in 20 mm steps)	
Output		
Signal characteristic	Analog output restricted by noise or A/D converter of control unit	
Interface	CANopen / SAE J1939	
Resolution	±0.2 mm	
Sample rate	CANopen: 1 ms; SAE J1939: 20 ms	
Accuracy		
Linearity	±0.04 % (F.S.)	
Repeatability	±0.005 % (F.S.)	
Hysteresis	±0.2 mm	
Operating conditions		
Mounting position	Any	
Operating temperature	-40...+105 °C	
Humidity	90 % rel. humidity, no condensation	
Ingress protection	IP67 / IP69K with appropriate mating connection	
Pressure		
Nominal operating pressure (P <sub>N</sub> )	350 bar	
Max. overload pressure in cylinder (P <sub>MAX</sub> )	450 bar	
Max. static proof pressure in cylinder (P <sub>PROOF</sub> )	625 bar	
Environmental testing		
Shock test	IEC 60068-2-27, 100 g (6 ms) single shock, 50 g (11 ms) at 1000 shocks per axis	
Vibration test	IEC 60068-2-64, 2 g (5...2000 Hz)	
EMC test & evaluation	ISO16750-2:2010 ISO 14982:2009 - Agricultural and forestry machinery ISO 13766:2006 - Earth-moving machinery EN 13309:2010 - Construction machinery RF immunity to 200 V/m per ISO 11452-2/-4	
Materials and dimensions		
Sensor rod with flange	Stainless steel 1.4306 (AISI 304L)	
Sensor electronics housing	Stainless steel 1.4305 (AISI 303)	
Electrical installation		
Connector	M12 male plug	
Supply voltage	<b>12 VDC (8...32 VDC)</b>	<b>24 VDC (8...32 VDC)</b>
Current consumption	Typ. ≤ 100 mA	Typ. ≤ 50 mA
Inrush current	Max. 1.0 A @ 2 ms	Max. 1.5 A @ 2 ms
Bus termination (HI-LO)	120 Ω	
Supply voltage ripple	< 1 % p-p	
Power drain	< 1.5 W	
Over voltage protection (GND-VDC)	Up to +36 VDC	
Polarity protection (GND-VDC)	Up to -36 VDC	
Insulation Resistance	R ≥ 10 MΩ @ 60 sec.	
Electric strength	500 VDC (DC GND to chassis GND)	

## TECHNICAL DRAWING



## CONNECTOR WIRING

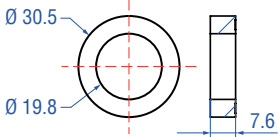
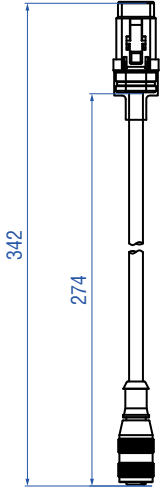
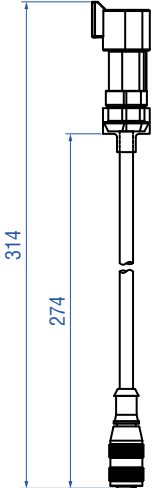
### Analog output




M12 connector		Pin	E	G	H
	1	not connected	VDC	VDC	
	2	VDC	not connected	SIG	
	3	GND	GND	GND	
	4	SIG	SIG	not connected	

### Digital output

M12 connector		Pin	F
	1	not connected	
	2	VDC	
	3	GND	
	4	CAN_HI	
	5	CAN_LOW	

## FREQUENTLY ORDERED ACCESSORIES

Position magnets	Cord sets and adapter cables	
		
<p><b>Ring magnet</b> Part no. 402 316</p> <p>Material: PA ferrite coated Weight: ca. 13 g Operating temperature: -40...+100 °C Surface pressure: 20 N/mm<sup>2</sup></p>	<p><b>4 pin M12 to DTM06 connector</b> Part no. 254 597</p> <p>M12 connector: Brass/Nickel DT connector: DTM06 3 pin Material: PVC Jacket Cable length: 275 mm Cable Ø: 5 mm Operating temperature: -40...+105 °C</p>	<p><b>4 pin M12 to DT04 connector</b> Part no. 254 600</p> <p>M12 connector: Brass/Nickel DT connector: DT04 3 pin Material: PVC Jacket Cable length: 275 mm Cable Ø: 5 mm Operating temperature: -40...+105 °C</p>

Test kits		
		
<p><b>MH test kit (analog)</b> Part no. 280 618</p> <p><b>Kit includes:</b></p> <ul style="list-style-type: none"> <li>• 12 VDC battery charger with adapter (EU &amp; UK)</li> <li>• Cable with M12 connector</li> <li>• Cable with pigtailed wires</li> <li>• Carrying case</li> </ul>	<p><b>MH test kit (digital) for US</b> Part no. 253 879</p> <ul style="list-style-type: none"> <li>• USB CAN-Modul Kit: <ul style="list-style-type: none"> <li>- USB CAN-Modul</li> <li>- USB CAN-Modul Utility CD (driver &amp; manual)</li> </ul> </li> <li>• USB cable</li> <li>• cable with MTS M12 connector and RS232 connector</li> <li>• cable with RS232 connector</li> <li>• carrying case</li> <li>• 12 VDC power supply</li> </ul>	<p><b>MH test kit (digital) for EU / Asia</b> Part no. 254 267</p> <ul style="list-style-type: none"> <li>• USB CAN-Modul Kit: <ul style="list-style-type: none"> <li>- USB CAN-Modul</li> <li>- USB CAN-Modul Utility CD (driver &amp; manual)</li> </ul> </li> <li>• USB cable</li> <li>• cable with MTS M12 connector and RS232 connector</li> <li>• cable with RS232 connector</li> <li>• carrying case</li> <li>• 12 VDC power supply</li> </ul>

Controlling design dimensions are in millimeters

## ORDER CODE FMH ANALOG

1	2	3	4	5	6	7	8	9	10	11	12	13	14
F	M	H						M		3			
a			b	c					d	e	f		

<b>a</b>	<b>Sensor model</b>												
F	M	H	Flexible MH										

<b>b</b>	<b>Design</b>												
A	M33 thread flange, flat end plug												
B	M33 thread flange, M4 female plug												

<b>c</b>	<b>Stroke length</b>												
X	X	X	X	M	0500...5000 mm (20 mm increments)								

<b>d</b>	<b>Pin assignment</b>												
<b>M12 connector (VDC - GND - SIG)</b>													
E	M12 connector with 4 pins (E: 2-3-4)												
G	M12 connector with 4 pins (G: 1-3-4)												
H	M12 connector with 4 pins (H: 1-3-2)												

<b>e</b>	<b>Operating voltage</b>												
3	+12/24 VDC (8...32 VDC)												

<b>f</b>	<b>Output</b>												
V	1	1	0.25...4.75 VDC										
V	1	2	0.5...4.5 VDC										
V	1	3	4.75...0.25 VDC										
V	1	4	4.5...0.5 VDC										
A	0	1	4...20 mA										
A	0	4	20...4 mA										

## DELIVERY



Position sensor,  
O-ring

Accessories have to be ordered  
separately.

Operation manuals & software are available at:  
[www.mtssensors.com](http://www.mtssensors.com)

### NOTICE

If you have questions about the replacement of sensor electronics and sensor element contact the MTS Sensors application team.

## ORDER CODE FMH DIGITAL

1	2	3	4	5	6	7	8	9	10	11	12	13	14	15	16	17
F	M	H						M	F	3		0	1			
a			b	c					d	e	f			g	h	

### a Sensor model

F	M	H	Flexible MH
---	---	---	-------------

### b Design

A	M33 thread flange, flat end plug
B	M33 thread flange, M4 female plug

### c Stroke length

X	X	X	X	M	0500...5000 mm (20 mm increments)
---	---	---	---	---	-----------------------------------

### d Pin assignment

#### M12 connector (VDC - GND - CAN HI - CAN LO)

F	M12 connector with 5 pins (F: 2-3-4-5)
---	--

### e Operating voltage

3	+12/24 VDC (8...32 VDC)
---	-------------------------

### f Output

C	0	1	CANopen
J	0	1	SAE J1939

### g Baud rate setting

#### CANopen

0	1000 kbit/s
1	800 kbit/s
2	500 kbit/s
3	250 kbit/s (default)
4	125 kbit/s

#### SAE J1939

3	250 kbit/s (fix setting)
---	--------------------------

### h Node ID

#### CANopen

7	F	Node ID (hex): 01...7F (default = 7F)
---	---	---------------------------------------

#### SAE J1939

F	D	Node ID (hex): 01...FD (default = FD)
---	---	---------------------------------------

## DELIVERY



Position sensor,  
O-ring

Accessories have to be ordered  
separately.

Operation manuals & software are available at:  
[www.mtssensors.com](http://www.mtssensors.com)

### NOTICE

If you have questions about the replacement of sensor electronics and sensor element contact the MTS Sensors application team.



**Document Part Number:**  
551847 Revision A (EN) 07/2016

**LOCATIONS**

**USA**  
**MTS Systems Corporation**  
**Sensors Division**  
3001 Sheldon Drive  
Cary, N.C. 27513, USA  
Tel. +1 919 677-0100  
Fax +1 919 677-0200  
info.us@mtssensors.com  
www.mtssensors.com

**JAPAN**  
**MTS Sensors Technology Corp.**  
737 Aihara-machi,  
Machida-shi,  
Tokyo 194-0211, Japan  
Tel. +81 42 775-3838  
Fax +81 42 775-5512  
info.jp@mtssensors.com  
www.mtssensors.com

**FRANCE**  
**MTS Systems SAS**  
Zone EUROPARC Bâtiment EXA 16  
16/18, rue Eugène Dupuis  
94046 Creteil, France  
Tel. +33 1 58 4390-28  
Fax +33 1 58 4390-03  
info.fr@mtssensors.com  
www.mtssensors.com

**GERMANY**  
**MTS Sensor Technologie**  
**GmbH & Co. KG**  
Auf dem Schüffel 9  
58513 Lüdenscheid, Germany  
Tel. +49 2351 9587-0  
Fax +49 2351 56491  
info.de@mtssensors.com  
www.mtssensors.com

**CHINA**  
**MTS Sensors**  
Room 504, Huajing Commercial Center,  
No. 188, North Qinzhou Road  
200233 Shanghai, China  
Tel. +86 21 6485 5800  
Fax +86 21 6495 6329  
info.cn@mtssensors.com  
www.mtssensors.com

**ITALY**  
**MTS Systems Srl**  
**Sensor Division**  
Via Camillo Golgi, 5/7  
25064 Gussago (BS), Italy  
Tel. +39 030 988 3819  
Fax +39 030 982 3359  
info.it@mtssensors.com  
www.mtssensors.com

**LEGAL NOTICES**

MTS, Temposonics and Level Plus are registered trademarks of MTS Systems Corporation in the United States; MTS SENSORS and the MTS SENSORS logo are trademarks of MTS Systems Corporation within the United States. These trademarks may be protected in other countries. All other trademarks are the property of their respective owners. Copyright © 2016 MTS Systems Corporation. No license of any intellectual property rights is granted. MTS reserves the right to change the information within this document, change product designs, or withdraw products from availability for purchase without notice. Typographic and graphics errors or omissions are unintentional and subject to correction. Visit [www.mtssensors.com](http://www.mtssensors.com) for the latest product information.

**ISO 9001**  
CERTIFIED

